

PKX Solenoid Dosing Pumps

TECHNICAL FEATURES

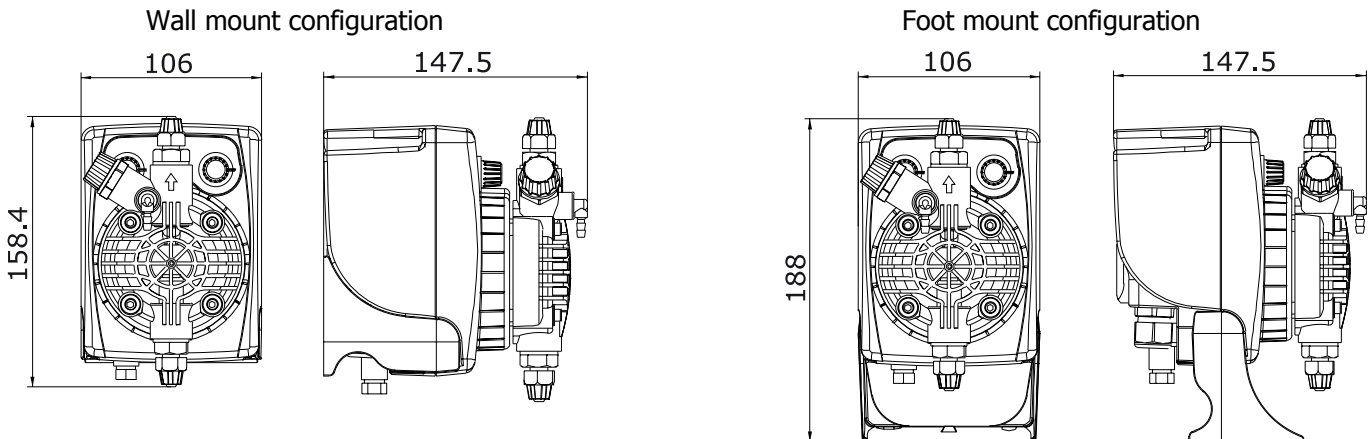
- *Flow Rate:* From 1 to 10 L/H
- *Maximum Pressure:* 5 Bar
- *Power Supply:* 230v standard; 120v, 12vdc, 24vac, 24vdc
- *Stroke Rate:* 120 impulses/minute maximum
- *Pump Head:* PP or PVDF with lip or ceramic ball valves; Auto-bleed options available
- *Diaphragm:* PTFE
- *Mounting options:* Supplied with bracket suitable for foot or wall mounting
- *Installation Kit:* PP or PVDF Injection Valve, Foot Filter, 2m each of suction/discharge tubing, screws & plugs for wall mounting



PKX MODELS

- MA/A Analogue manual dosing (0 – 100%); Optional level alarm; Available with removable power cable;
- FT/A Proportional dosing; Volumetric proportional (1 injection per impulse); Volumetric timer (0-60 seconds timed dosing per impulse); Level alarm (supplied without level switch); Available with removable power cable

DIMENSIONS



ALL DIMENSIONS ARE IN MM

PKX Solenoid Dosing Pumps

PUMP TECHNICAL DETAILS **The figures below are based on dosing water at 20°C*

Model	Flow rate (L/H)	Max pressure (Bar)	Injection volume (cc)	Max injection frequency (imp/minute)	Tubing (IDxOD mm)	Power supply
01-05	1	5	0.14	120	4x6	230v, 50-60 Hz
02-06	2	6	0.28	120	4x6	230v, 50-60 Hz
05-05	5	5	0.69	120	4x6	230v, 50-60 Hz
07-02	7	2	0.97	120	4x6	230v, 50-60 Hz
10-01	10	1	1.39	120	4x6	230v, 50-60 Hz

PKX FLOW RATE/PRESSURE CHART

