

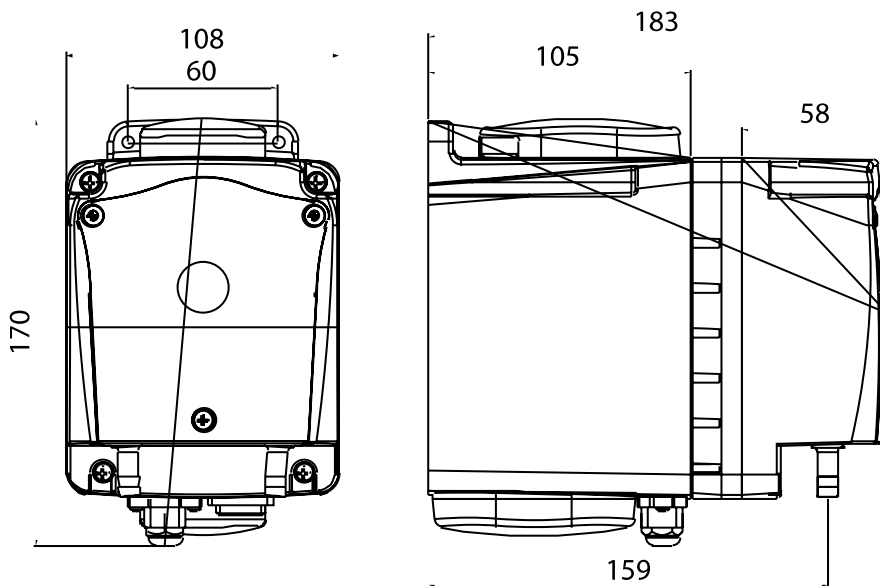
BH3-V Peristaltic Dosing Pumps

TECHNICAL FEATURES

- *Flow Rate:* 100 L/H maximum
- *Maximum Pressure:* 1.5 Bar
- *Power Supply:* 90-260v standard
- *Tubing:* Available in Santoprene®, Silicone, Norprene® or Tygon
- *Flow Rate Adjustment:* 10 – 100%
- *Accessories:* Supplied with 4 metres suction/discharge tubing (Injection valve or foot filter not included)



DIMENSIONS



All dimensions are in mm