

F Series Peristaltic Dosing Pumps

TECHNICAL FEATURES

- *Flow Rate:* From 1.1 to 6 L/H
- *Maximum Pressure:* 1 Bar
- *Power Supply:* 230v standard; 120v, 12vdc, 24vac, 24vdc
- *Tubing Options:* Santoprene or Silicone
- *Mounting Options:* Wall mounted; removable gearbox/motor for panel mounting
- *Accessory Kit:* Available with additional accessory kits (includes injection valve, foot filter and suction & discharge tubing)



MODELS

F Series

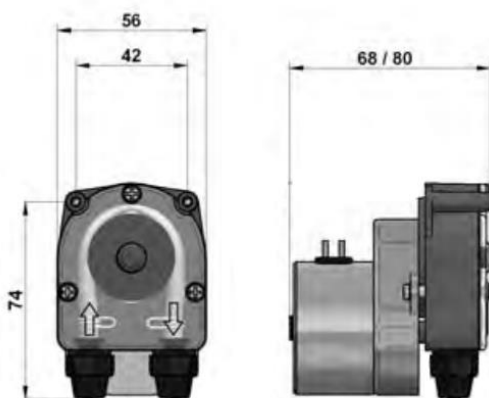
Constant flow rate peristaltic pump for discontinuous use; minimum order quantity of 12 units

F-T Series

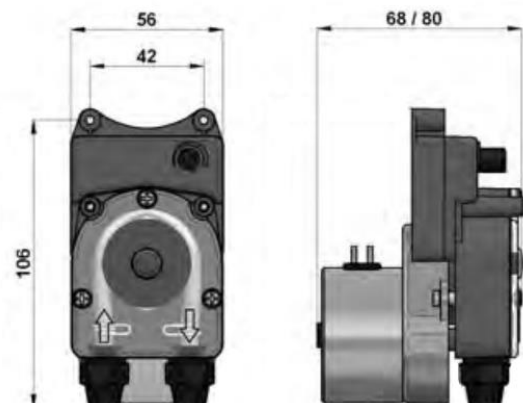
Constant flow rate with integral timer (0-7 seconds; controlled by potentiometer) for discontinuous use; minimum order quantity of 12 units

DIMENSIONS

F Series Model



F-T Series Model



All dimensions are in mm

F Series Peristaltic Dosing Pumps

FLOW RATES/OPERATING PRESSURES

Model	Flow rate (L/H)	Max pressure (Bar)	Power Supply	RPM	Dimensions (in mm)		
					Height	Width	Depth
0001	0.5	1	230v, 50/60 Hz	10	81	56	68
0101	1.1	1	230v, 50/60 Hz	20	81	56	68
			240v, 50/60 Hz				
			110v, 50/60 Hz				
			24v 50/60 Hz				
			24vdc	22	81	56	80
			12vdc	21			
0201	2.2	1	230v, 50/60 Hz	48	81	56	68
			240v, 50/60 Hz				
			110v, 50/60 Hz				
			24v 50/60 Hz				
			12/24vdc	50	81	56	80
0301	3.3	1	230v, 50/60 Hz	60	81	56	80
0601	6	1	12/24vdc	108	81	56	87