

YAS 转子泵 YAS rotary lobe pump

YAS-YAR系列泵有一个万用齿轮箱的设计，这种设计可以使泵的安装具有灵活性，即可以在纵向或横向平面装有进出水口，进出水口的定位（横向或纵向），可以通过移动齿轮箱上的两个螺栓脚中的一只来改变，进出水口的定位在订购时必须指明。

YAS-YAR series pump seems to be very perfect with the Multi-gear box, this design makes the pump installation flexible. That is, we can install inlet and outlet in the vertical and horizontal planes; change the inlet and outlet position by moving one of the two bolt points on the gear case. Please point out the position of inlet and outlet, when purchasing.

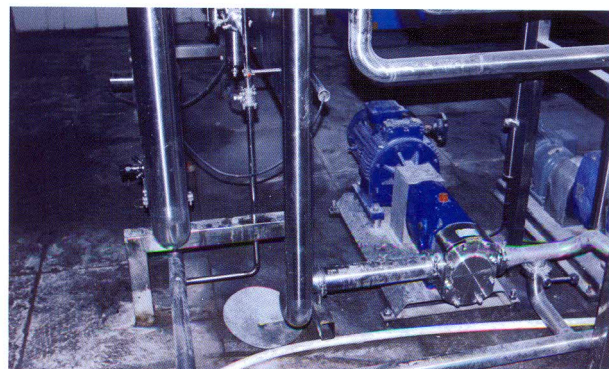
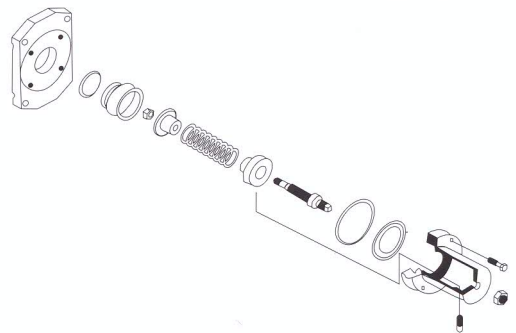
应用 / Application

YAS系列卫生型转子泵适用于有严格卫生要求的食品、调味品、乳制品、制药等相关行业。转子泵的设计是基于接触的两凸轮的同步转动，以适应输送稀的或粘稠物料，甚至是含有固体的悬浮物料。坚固的齿轮箱和短轴保证最小的偏差，在没有前轴套的条件下可以在高压（22bars）下工作。

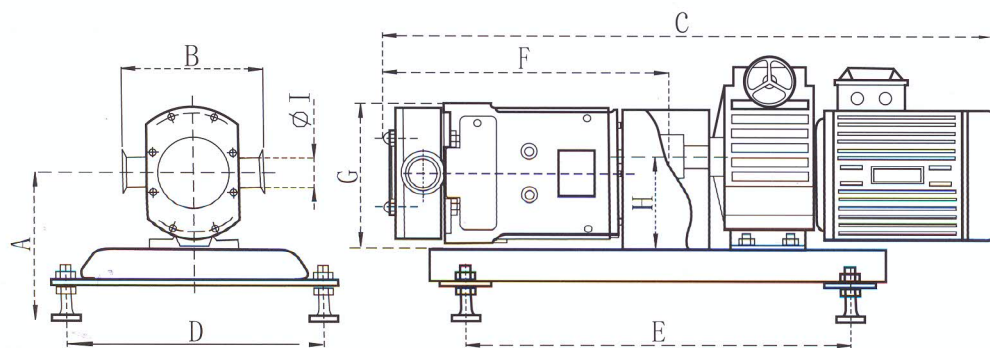
YAS series sanitary rotary pump is widely used in the industries with strict hygienic requirements, like food, condiments, dairy, pharmacy and etc industries. The rotary pump is designed on the two synchronous rotors which could transport low or high viscosity liquid and even in the granular liquid. The strong gear box and the Short axis assure minimum tolerance. The rotary pump can work under high pressure (22bar) when there is not front axis cover.

主要特点 / Advantages

无需从管线上拆下就可以 维修保护；	Easy maintenance without removing pipelines
结构紧凑；	Compact construction
转子间无摩擦；	No friction between rotors
有多种转子供选择；	Several rotor option
低噪音；	Low noise lever
降低维修费用；	Reduced maintenance cost
高效率；	High efficiency
可反转；	Reversable
安全阀（供选择）	Safety relief valve (optional)
进出口联结：DIN、SMS、 CLAMP、ISO等	Several connection options DIN SMS Clamp ISO



YAS型泵外型尺寸 / YAS Pump Size



序号 Series Number	规格 Specification	电机功率 Motor power	A	B	C	D	E	F	G	H	ØI
1	YAS-6(1T)	1.1KW	265	205	880	400	640	365	220	150	38
2	YAS-8(2T)	1.5KW	265	205	900	400	640	365	220	150	38
3	YAS-12(3T)	2.2KW	265	205	900	400	640	365	220	150	38
4	YAS-20(4T)	2.2KW	290	245	1080	475	685	460	270	180	51
5	YAS-30(5T)	2.2KW	290	245	1080	475	685	460	270	180	51
6	YAS-36(6T)	3KW	290	227	1090	440	740	475	295	190	51
7	YAS-52(10T)	4KW	290	230	1150	460	740	500	270	180	70
8	YAS-66(12T)	4KW	290	230	1150	460	740	500	270	180	70
9	YAS-78(15T)	5.5KW	320	250	1270	490	920	550	310	220	89
10	YAS-100(20T)	7.5KW	320	250	1300	500	930	550	310	220	89
11	YAS-135(30T)	11KW	400	335	1640	420	1140	700	430	305	102

适用范围 / Applications

适用于调味品、饮料、啤酒、果汁、奶制品、制药、糖制品、食用油、肉制品、化妆品、洗涤剂 等 粘稠或稀释液体的输送。
Condiment, Beverage, Beer, Juices, Dairy, Pharmaceutical, Confectionery, Edible oils, Meat pastes, Cosmetics, Detergents etc.

材料 / Materials

所有与物料接触部件为316L不锈钢 / 泵轴采用高强度不锈钢 / O型圈为食用级丁腈橡胶 (Perbunan)、硅橡胶 (Silicon)、三元乙丙 (EPDM)、氟橡胶 (Viton)、聚四氟乙稀 (PTFE) ; 标准机械密封采用石墨-碳化硅。

All parts in touch with the product are made of stainless 316L / The pump shafts are high rigidity stainless / O-rings are Food quality Perbunan (NBR), Silicon (VMQ), EPDM, Viton (FPM), PTFE Nomal Mechanical seals are Carbon-Sic.

技术参数说明 / Technical parameter introduction

产品型号 Model	进出口 Inlet and outlet	每100R排量 Discharge per 100r	建议调数 Adjustment	对应流量 (L/H) Flow rate	电机功率 (K/W) Motor power
YAS-6	38/38	6	200-500	650-160	1.1
YAS-8	38/38	8	200-500	850-2160	1.5
YAS-12	38/38	12	200-500	1300-3200	1.5
YAS-20	51/51	20	200-500	2100-5400	2.2
YAS-30	51/51 63/63	30	200-500	3200-6400	2.2
YAS-36	63/63	36	200-500	3800-7600	3
YAS-52	70/70	52	200-500	5600-11000	4
YAS-66	70/70	66	200-500	7100-14000	4
YAS-78	89/89	78	200-500	9000-18000	5.5
YAS-100	101/101	100	200-500	11000-22000	7.5
YAS-135	101/101	135	200-500	15000-30000	7.5